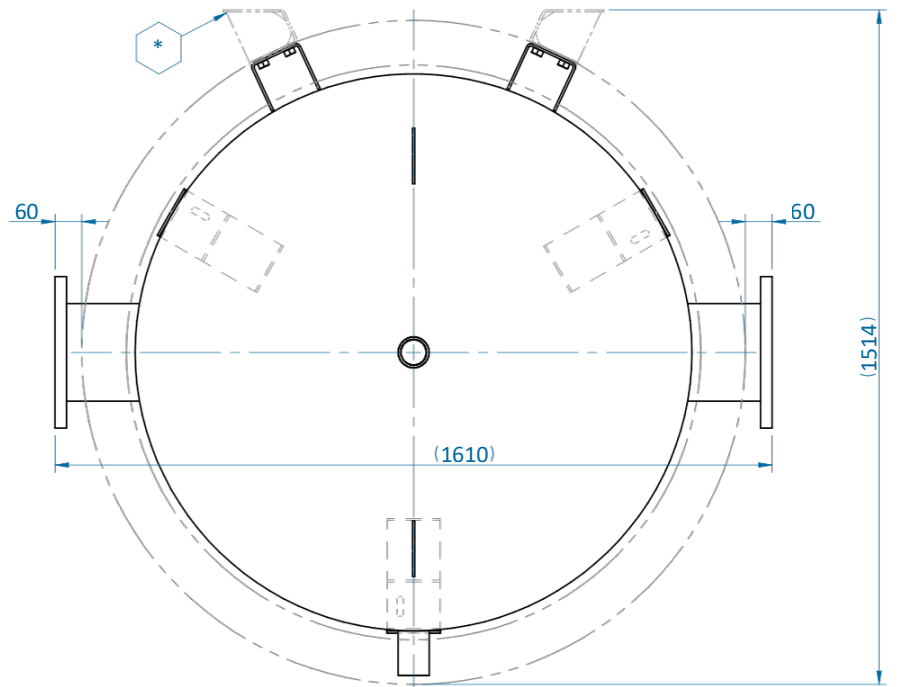
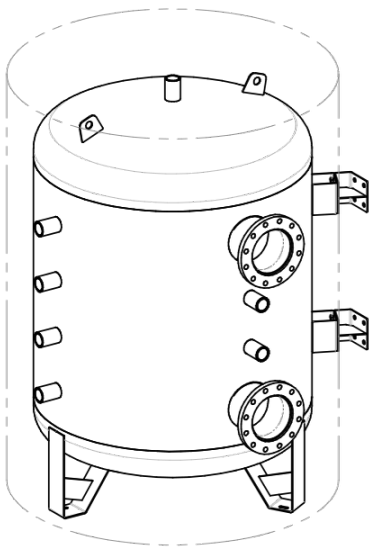
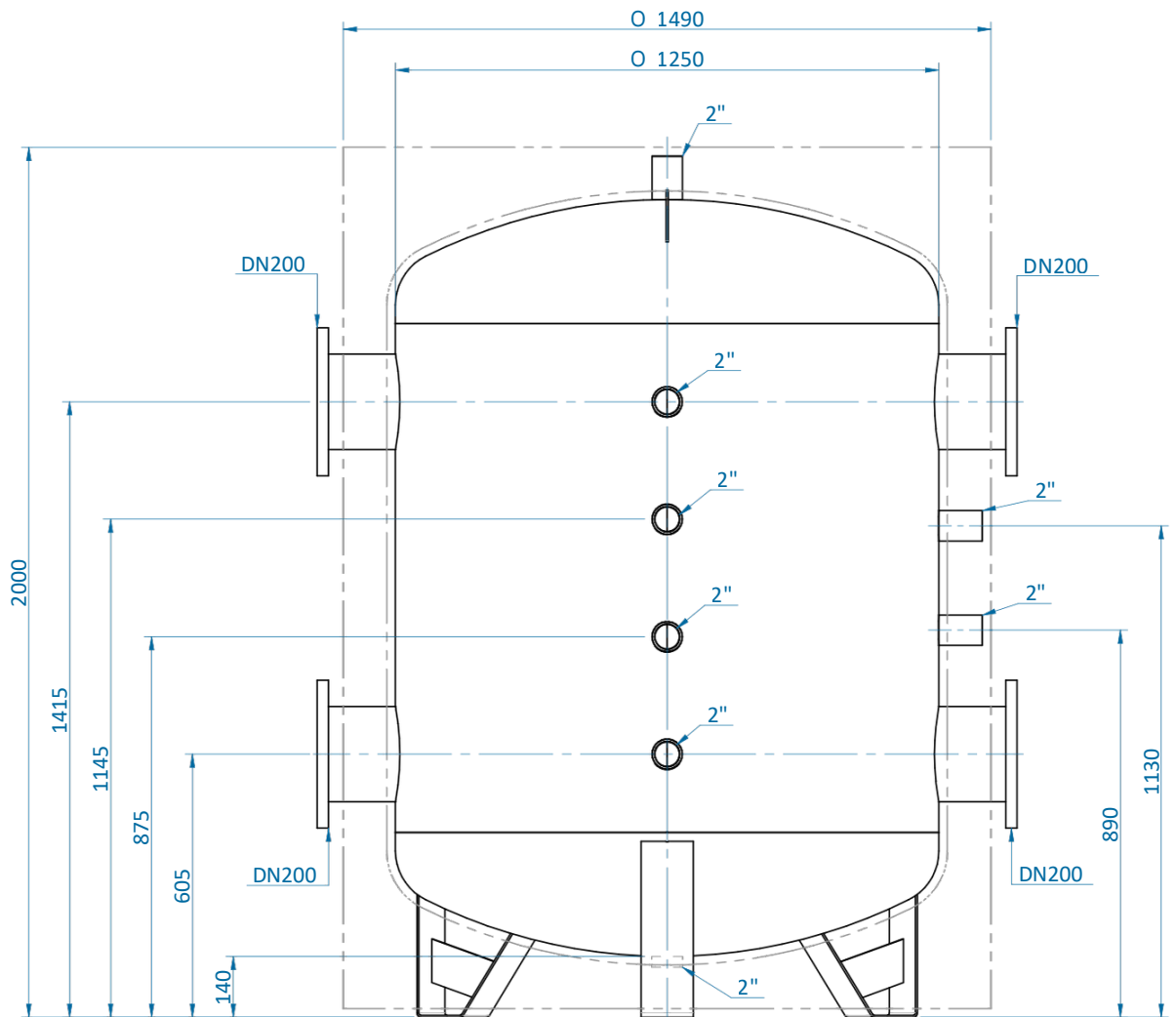
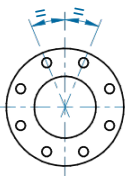


Flange
Orientation



20 mm CLOSE CELL INSULATION + 100 mm FLEXIBLE INSULATION WITH EXTERNAL PVC COVER


PAINTED EXTERIOR

BLACK RAW STEEL INSIDE, ANTIRUST PAINTING OUTSIDE

FLANGES PN 16 UNI EN 1092-1

WORKING PRESSURE: 6 bar

FOR ADDITIONAL SIDE BRACKETS FOR SEISMIC RESTRAINT 291.0 kg DRY WEIGHT.

REVISION		DATA	
APPROVED		APPROVED	
GENERAL TOLERANCE ISO 2768-v		SCALE 1:12	WEIGHT 315 kg
TREATMENT/ FINISH		DATE 27/03/2026	APPROVED GR
MATERIAL		DESIGNED MJ	CODE
		OBJECT: ThermaCon Buffer Tank Carbon Steel 4 Port Flanged, Indoor Insulation 2000 Litre	
THIS DRAWING IS THE PROPERTY OF FLOWQUIP LTD AND MUST NOT BE RETAINED, COPIED OR USED WITHOUT PERMISSION.		1	81701F173X
		TCBT-SIF-2000	