

Carbon Steel Multi Port Buffer Tank 300-1000L

ThermaCon^o
BUFFER TANKS

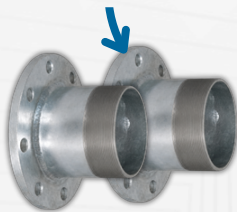
RIGID HEATING/CHILLED INSULATED WITH THREADED CONNECTIONS

CODE: TCBT-RIS(VOLUME) 300/500/1000

ThermaCon multi-port buffer tanks provide a practical and configurable solution for heating and chilled water systems. Designed for flexibility, the six-port layout allows engineers and installers to adapt connections to suit a wide range of plantroom configurations while avoiding the limitations of fixed welded flange designs.

- Manufactured in accordance with SEP and PED 2014/68/EU Article 4(3)
- 55mm rigid closed-cell insulation with PVC jacket finish
- Suitable for fluid temperatures from -10°C to +70°C (85°C available on request)
- Eight 20mm auxiliary ports for gauges and instrumentation.
- Includes 32mm BSP drain and vent connections.

Optional Flange Adaptors on Request



KEY FEATURES



300, 500, 1000 L STANDARD VOLUMES



CARBON STEEL CONSTRUCTION



6 PORT FEMALE THREADED BSP WITH OPTIONAL FLANGE ADAPTERS



INDOOR INSULATION



INJECTED PU FOAM INSULATION CAN BE STRAPPED FOR SEISMIC OR RESTRAINT PURPOSES.

OUTDOOR CLADDING KIT AVAILABLE ON REQUEST

(*BASED ON MANUFACTURERS DATA)



HEATING & CHILLED WATER COMPATIBLE
MAX OPERATING TEMP 80°C



OPERATING MAX 6 BAR
TEST PRESSURE 9 BAR



AUXILIARY FEMALE BSP THREADED PORTS FOR DRAIN, TOP VENT & SIDE (GAUGES/ INSTRUMENTS)

Size	Code	Diameter Uninsulated	Dry weight	Main Ports	Insulated Dimensions
1000L	TCBT-RIS1000	850mm	120 kg	4"/100mm BSPF x 6	Dia 1010mm, H 2075mm
500L	TCBT-RIS500	650mm	75 kg	2"/50mm BSPF x 6	Dia 760mm, H 1735mm
300L	TCBT-RIS300	500mm	50kg	2"/50mm BSPF x 6	Dia 610mm, H 1678mm

***CHECK WITH FLOWQUIP TECH TEAM FOR UPTO DATE MEASUREMENTS FLOWQUIP RESEVES THE RIGHT TO CHANGE THESE WITHOUT NOTICE**



SCAN FOR MORE INFO

0800 77 78 79 | office@flowquip.co.nz

We supply components that make it easy for engineers and tradesmen to create and maintain piped systems.

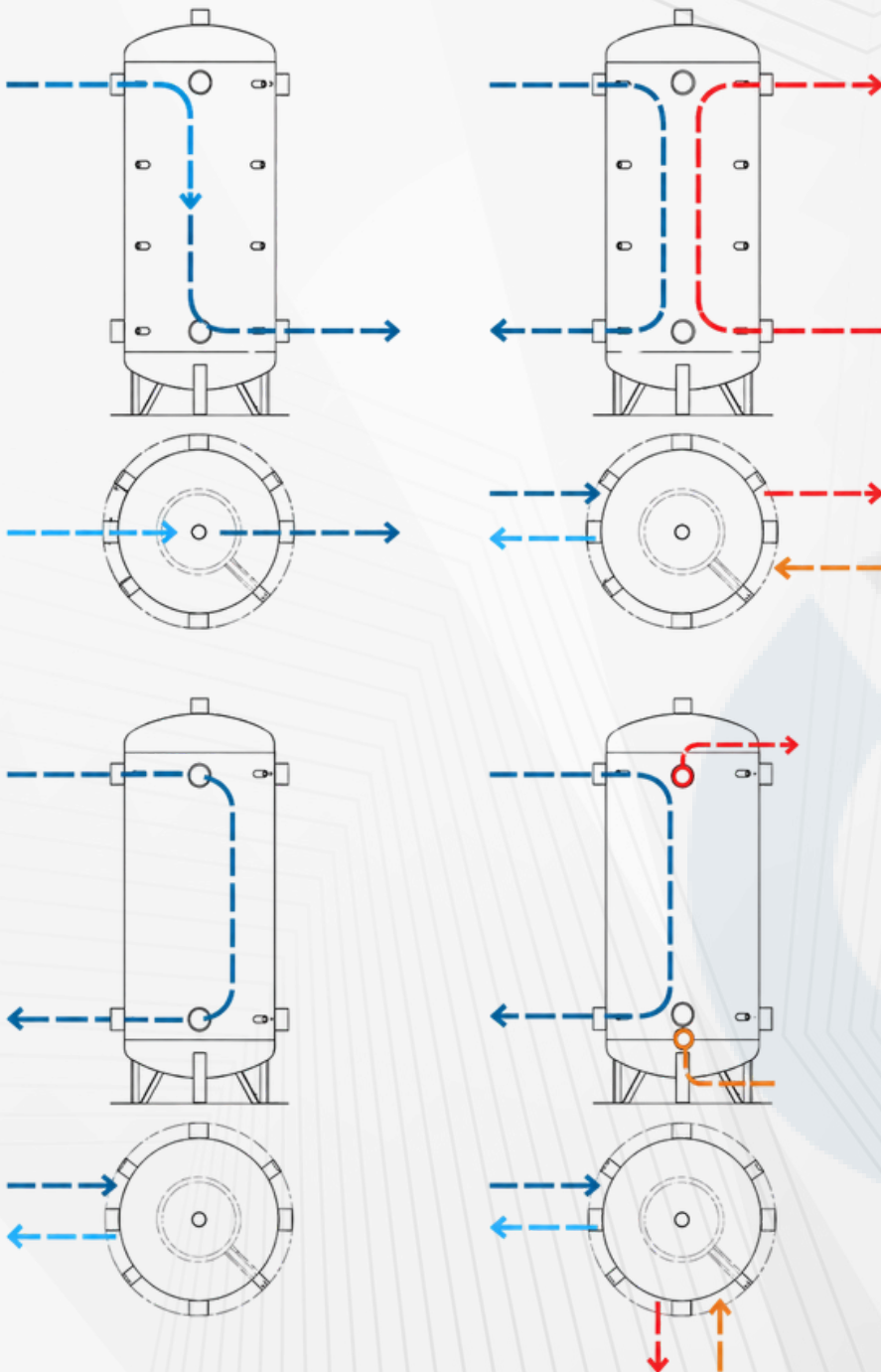
FlowQuip
Piped Equipment Specialties

Indoor Threaded Buffer Tank Additional Details

ThermaCon^o
BUFFER TANKS

**CARBON STEEL MULTI-PORT BUFFER INDOOR
HEATING/COOLING INSULATED**

**ONE TANK.
DESIGNED TO ADAPT FOR YOUR
PROJECT**



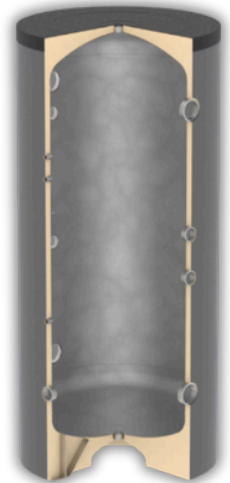
TYPICAL SEISMIC RESTRAINT STRAPS



FLANGE ADAPTOR CONNECTION KITS FITTED ON REQUEST



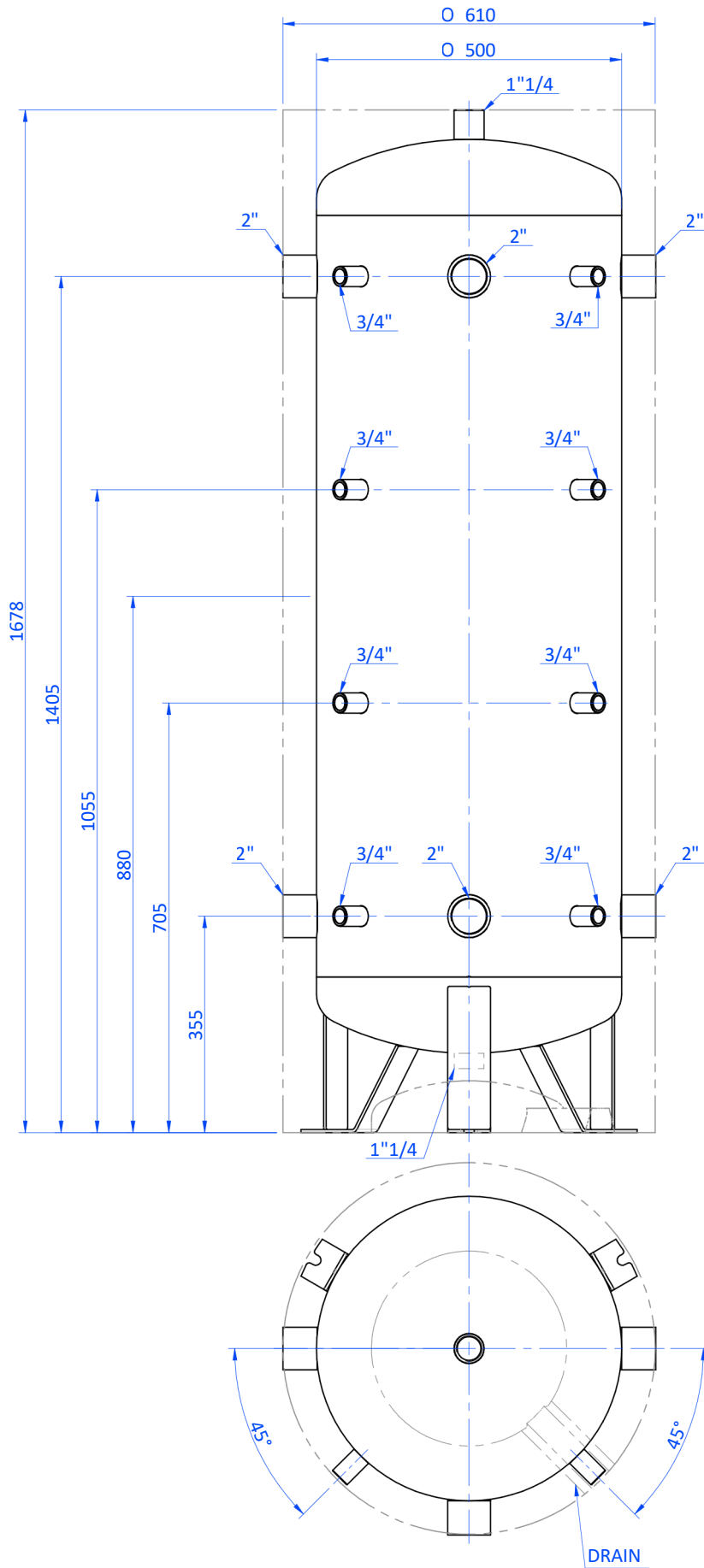
CUT AWAY VIEW



0800 77 78 79 | office@flowquip.co.nz

We supply components that make it easy for engineers and tradesmen to create and maintain piped systems.

FlowQuip
Piped Equipment Specialties



RIGID POLYURETHANE - EXTERNAL COATING
 RIGID POLYURETHANE FOAM - INSULATION WITH EXTERNAL PVC
 EXTERNALLY PAINTED
 BLACK RAW STEEL INSIDE , ANTIRUST PAINTING OUTSIDE
 WORKING PRESSURE: 6 bar

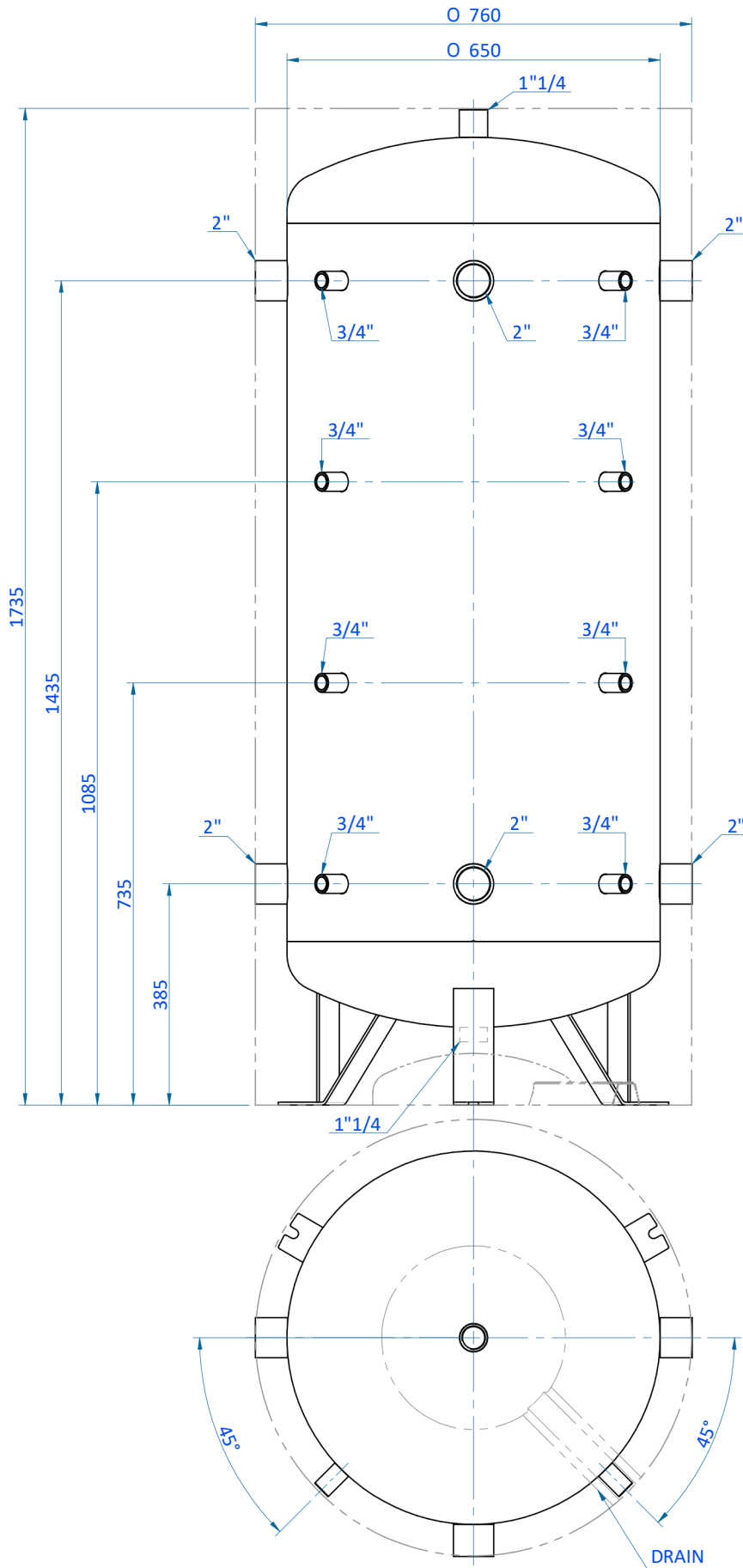
Sheet No. 1 / 1

0		DATA
		APPROVED
N°	REVISION	REVISION
GENERAL TOLERANCE	ISO 2768-v	SCALE 1:7,5
TREATMENT/ FINISH		INSULATED WEIGHT 50 kg
MATERIAL		DATE 28/10/2025
		APPROVED GR
		DESIGNED MJ
		CODE
		TCBT-RIS300
		REVISION
		APPROVAL
		1

FlowQuip
 Piped Equipment Specialties

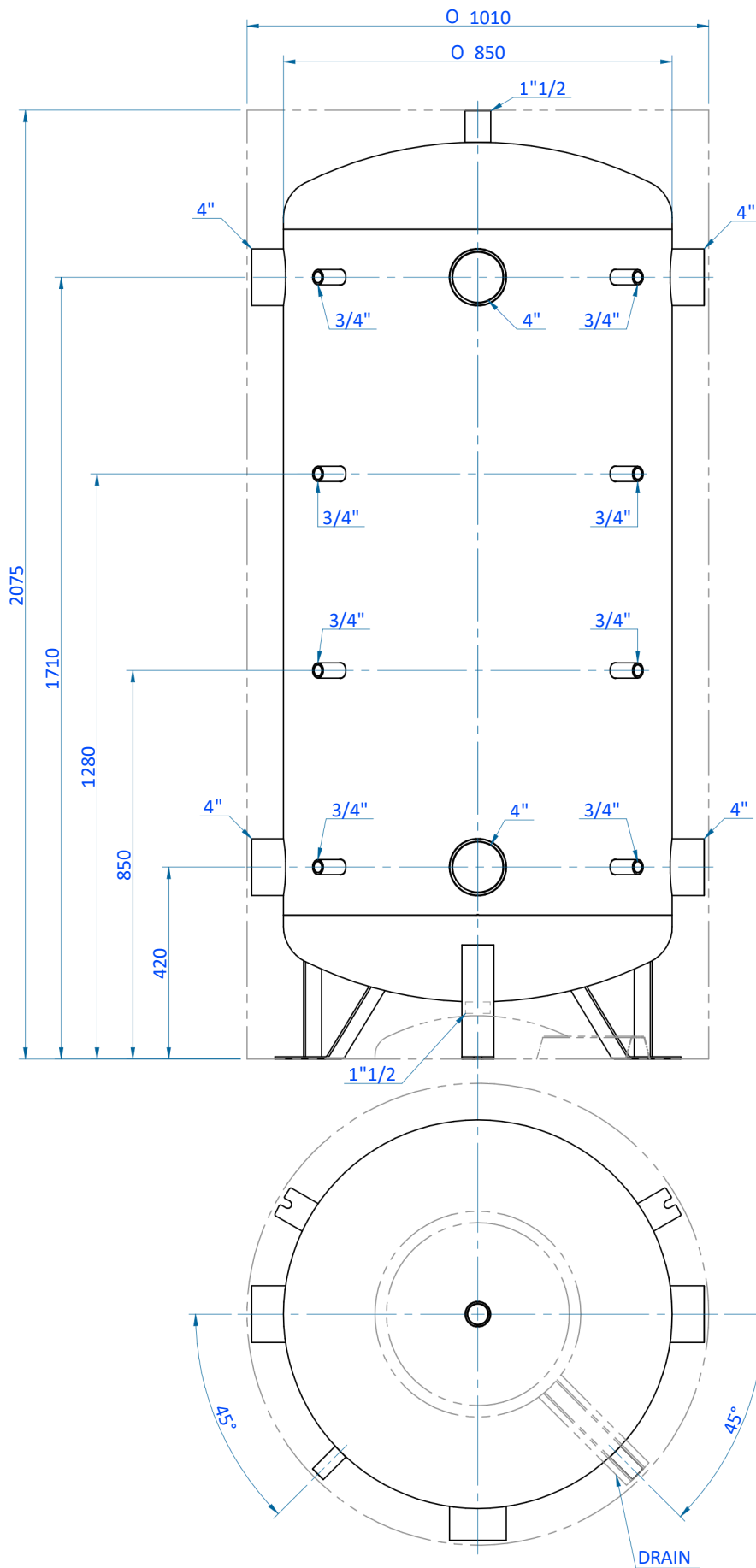
OBJECT:
 ThermaCon Buffer Tank Rigid Insulated Steel
 Screwed Connections (6 Port) 300 Litre

THIS DESIGN CANNOT BE REPRODUCED OR COMMUNICATED TO THIRD PARTIES WITHOUT PRIOR APPROVAL



RIGID POLYURETHANE - EXTERNAL COATING
 RIGID POLYURETHANE FOAM - INSULATION WITH EXTERNAL PVC
 EXTERNALLY PAINTED
 BLACK RAW STEEL INSIDE , ANTIRUST PAINTING OUTSIDE
 WORKING PRESSURE: 6 bar

0		DATA	
N°		APPROVED	
REVISION		REVISION	
GENERAL TOLERANCE ISO 2768-v		SCALE 1:8	INSULATED WEIGHT 75 KG
TREATMENT/ FINISH		DATE 28/10/2025	
MATERIAL		APPROVED GR	
OBJECT:		DESIGNED MJ	
		CODE	
		TCBT-RIS500	
THIS DESIGN CANNOT BE REPRODUCED OR COMMUNICATED TO THIRD PARTIES WITHOUT PRIOR APPROVAL		REVISION	1



RIGID POLYURETHANE - EXTERNAL COATING
 RIGID POLYURETHANE FOAM - INSULATION WITH EXTERNAL PVC
 EXTERNALLY PAINTED
 BLACK RAW STEEL INSIDE , ANTIRUST PAINTING OUTSIDE
 WORKING PRESSURE: 6 bar

0		DATA	
N°		APPROVED	
GENERAL TOLERANCE		REVISION	
ISO 2768-v		SCALE	INSULATED WEIGHT
TREATMENT/ FINISH		1:10	120 kg
MATERIAL		DATE	28/10/2025
OBJECT:		APPROVED	GR
ThermaCon Buffer Tank Rigid Insulated Steel		DESIGNED	MJ
Screwed Connections (6 Port) 1000 Litre		CODE	TCBT-RIS1000
FlowQuip Piped Equipment Specialties		REVISION	1
THIS DESIGN CANNOT BE REPRODUCED OR COMMUNICATED TO THIRD PARTIES WITHOUT PRIOR APPROVAL			