

ThermaEL Electric Boiler / Closed-loop water heater 80°C 3 Bar 15/30/45 kw

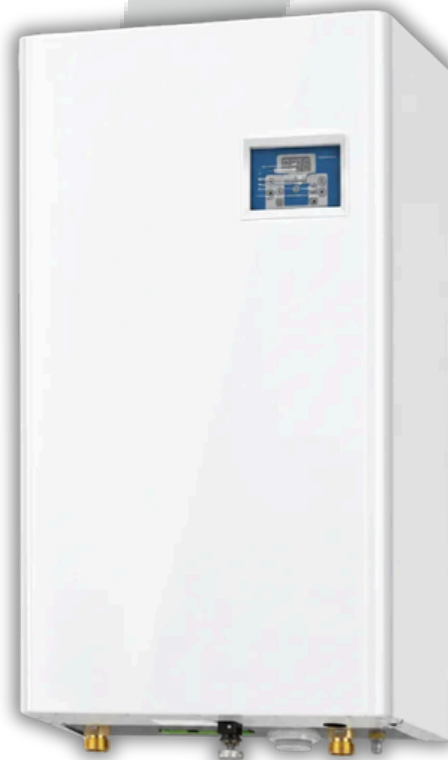
SPEC SHEET

PRODUCT CODE: THERMA"15/30/45"EL

KEY FEATURES

Compact wall-hung 3 phase electric boiler designed for heating water in hydronic heating systems via direct electric elements. The ThermaEL range is suitable for commercial heating applications, boosting heat to 80°C and/or backup heating for heat pump systems. Multiple boilers can be installed in cascade +16 units (16 x 45kw = 720kw total)

- Available in 15kW, 30kW and 45kW models
- 3-phase 415 Volt electric supply
- Compact wall-hung electric boiler design 435 x 237 x 805mm
- Designed for commercial hydronic heating systems
- Direct electric element heating for clean, efficient water heating
- Suitable as a primary, supplementary or backup heat source
- Ideal for heat pump backup and peak-load heating support
- Integral circulation pump
- Cascade capable up to 32 boilers for larger system capacity
- Smooth staged output control to match system demand
- Quiet electric operation with no combustion noise
- No flue requirement, reducing plant room complexity
- Simple digital control panel with operating and fault indication
- Suitable for buffer tanks and indirect hot water tank heating
- Compatible with room thermostat and outdoor sensor control
- Three-way valve control option for indirect hot water systems
- External control integration is available
- Steel construction with integrated safety and control functions
- Easy integration into new or existing hydronic systems
- Suitable for electrification and decarbonisation projects
- Made in Europe



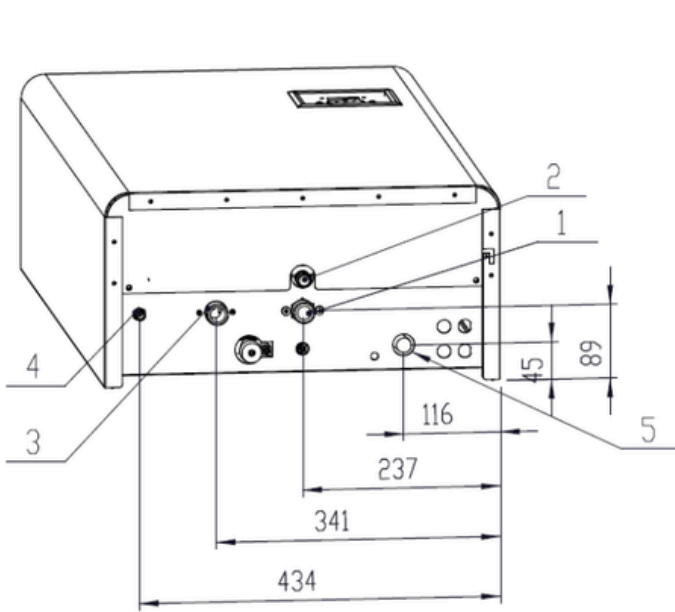
SCAN HERE TO
FIND OUT MORE

0800 77 78 79

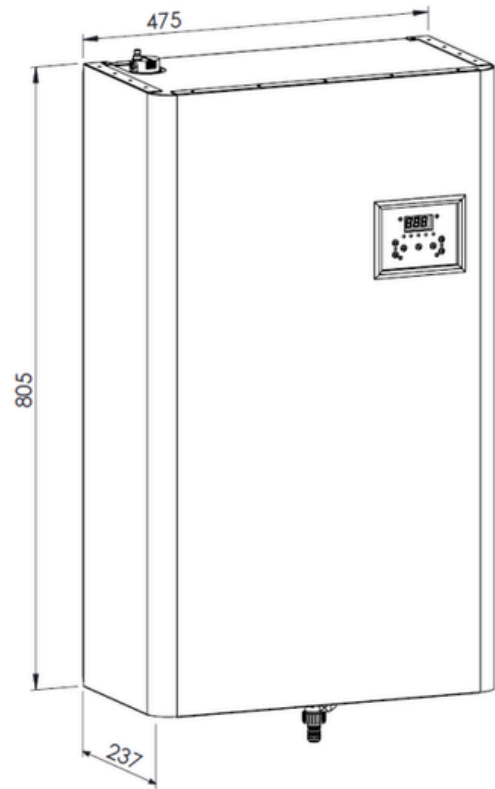
flowquip.co.nz

FlowQuip
Piped Equipment Specialties

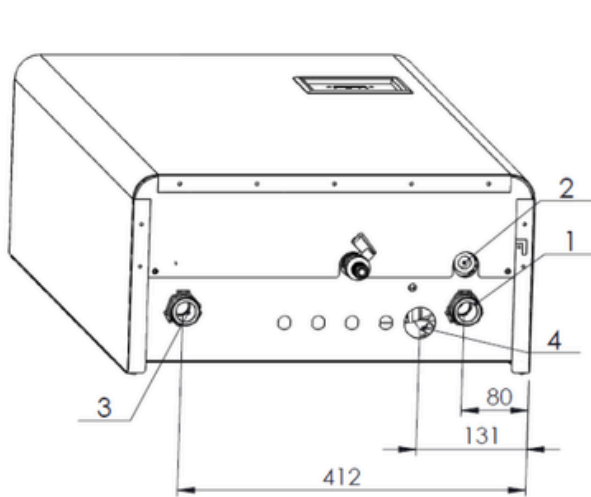
ThermaEL 15kw



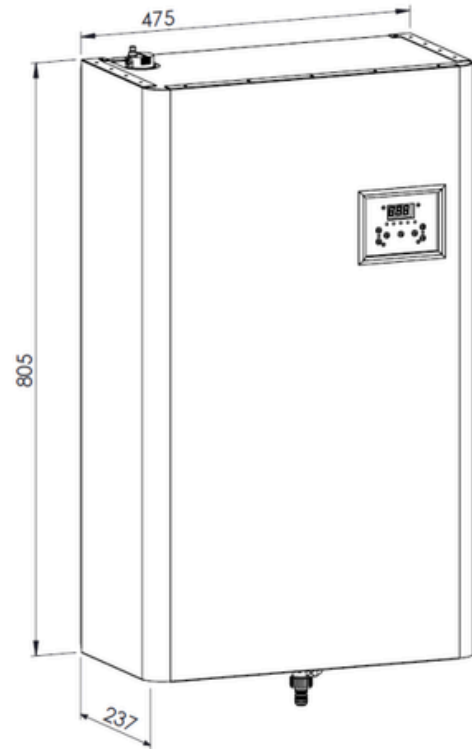
- 1 – Return water inlet ¾"
- 2 – Safety valve outlet
- 3 – Heating water outlet ¾"
- 4 – Discharge valve outlet ½"
- 5 – Power supply cable gland



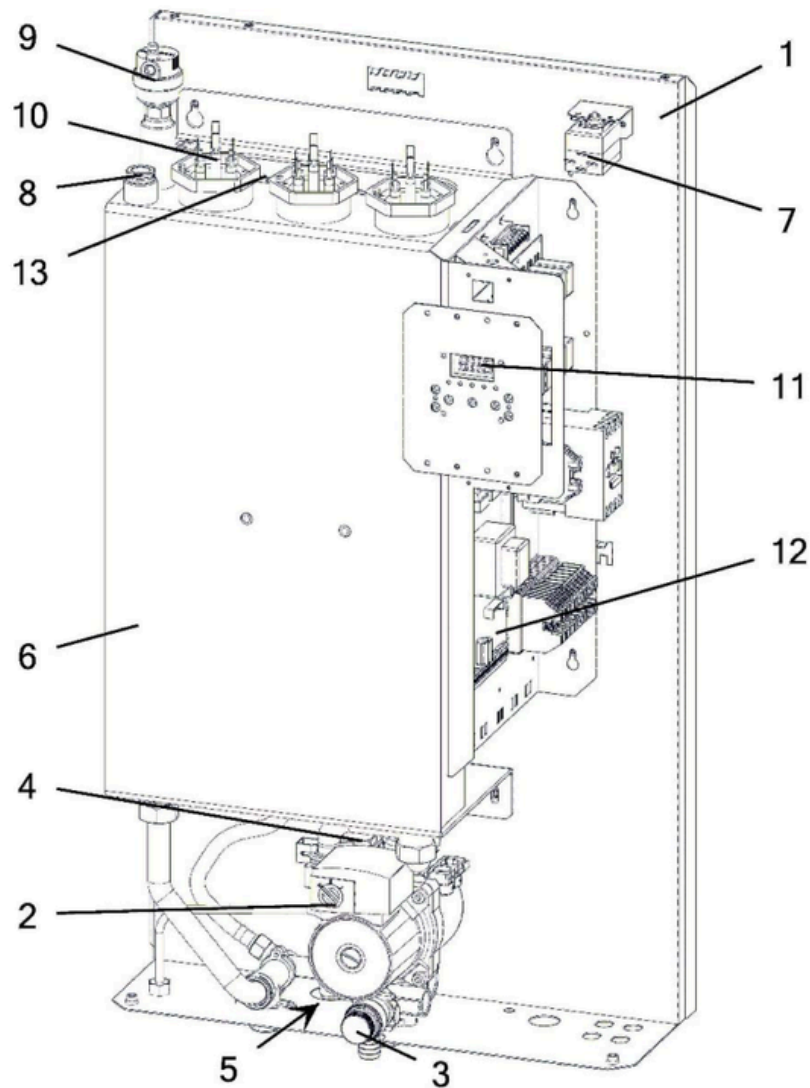
ThermaEL 30kw and 45kw



- 1 – Return water inlet 1"
- 2 – Safety valve outlet
- 3 – Heating water outlet 1"
- 4 – Power supply cable gland

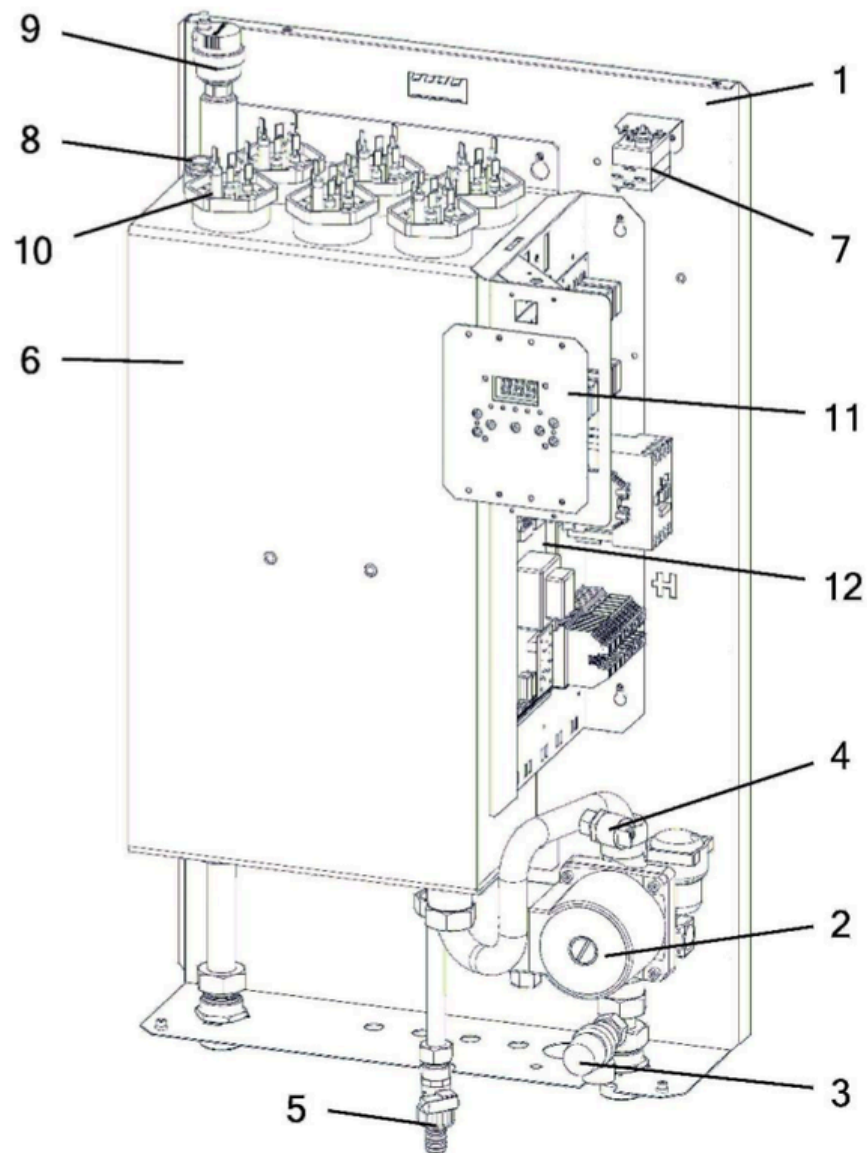


ThermaEL 15kw Assembly

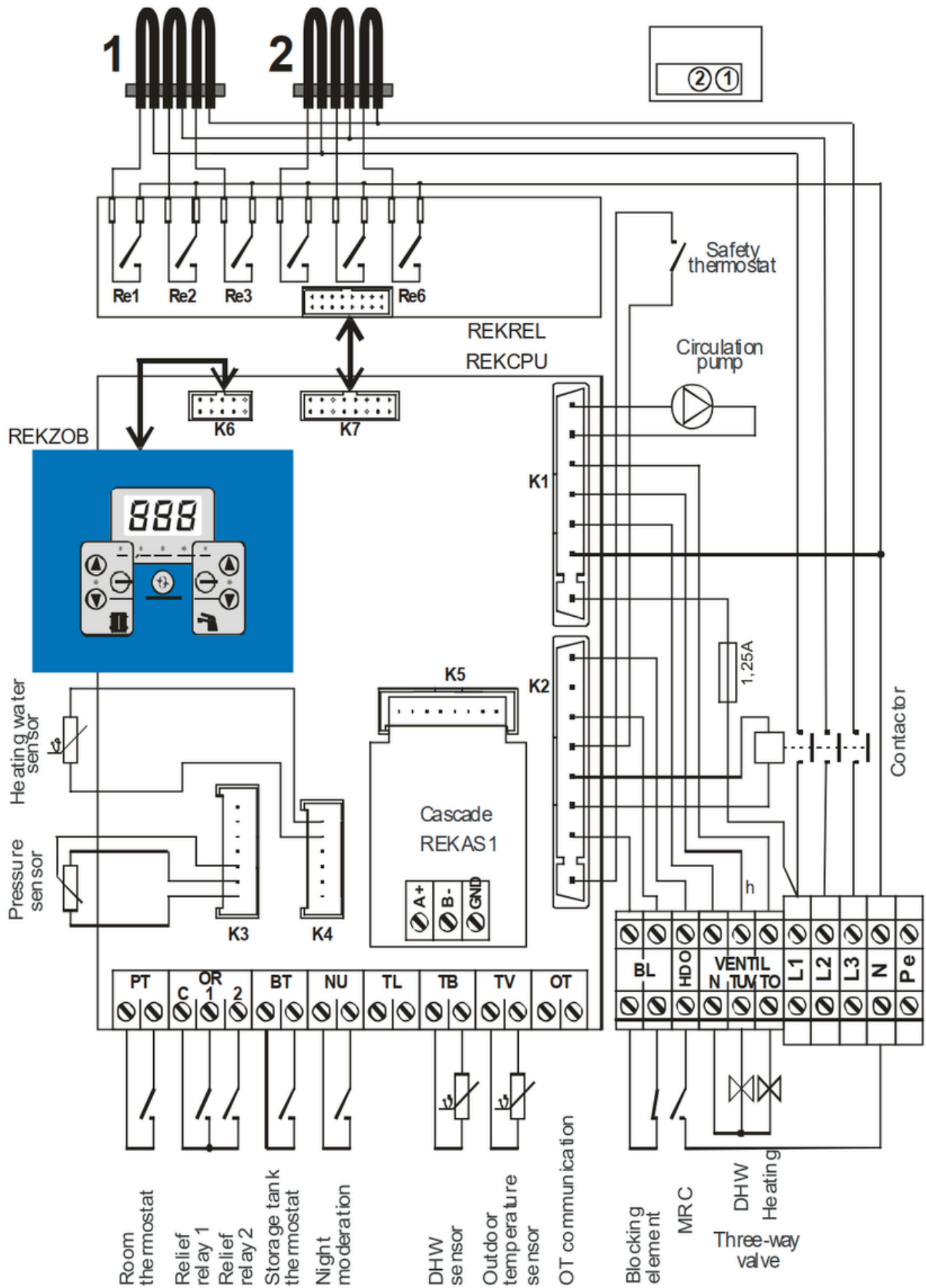


- 1 – Boiler frame
- 2 – Pump
- 3 – Safety valve
- 4 – Pressure sensor
- 5 – Discharge valve (1/2")
- 6 – Boiler heat exchanger
- 7 – Emergency thermostat (the sensor is placed in the cup together with the temperature sensor)
- 8 – Temperature sensor
- 9 – Vent valve
- 10 – Heating bar
- 11 – Control display
- 12 – Boiler automatic system
- 13 – Expansion tank (7 l)

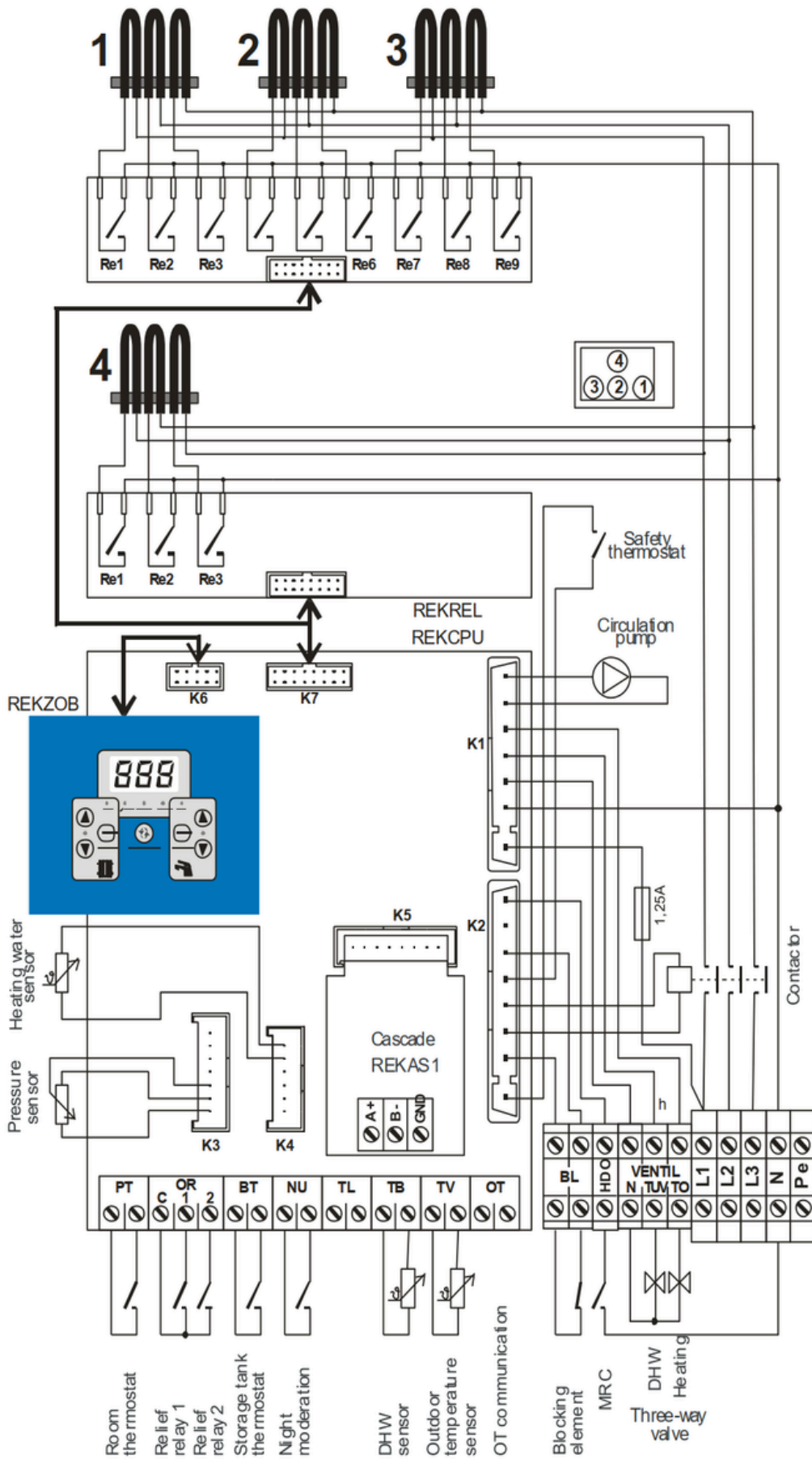
ThermaEL 30, 45kw Assembly

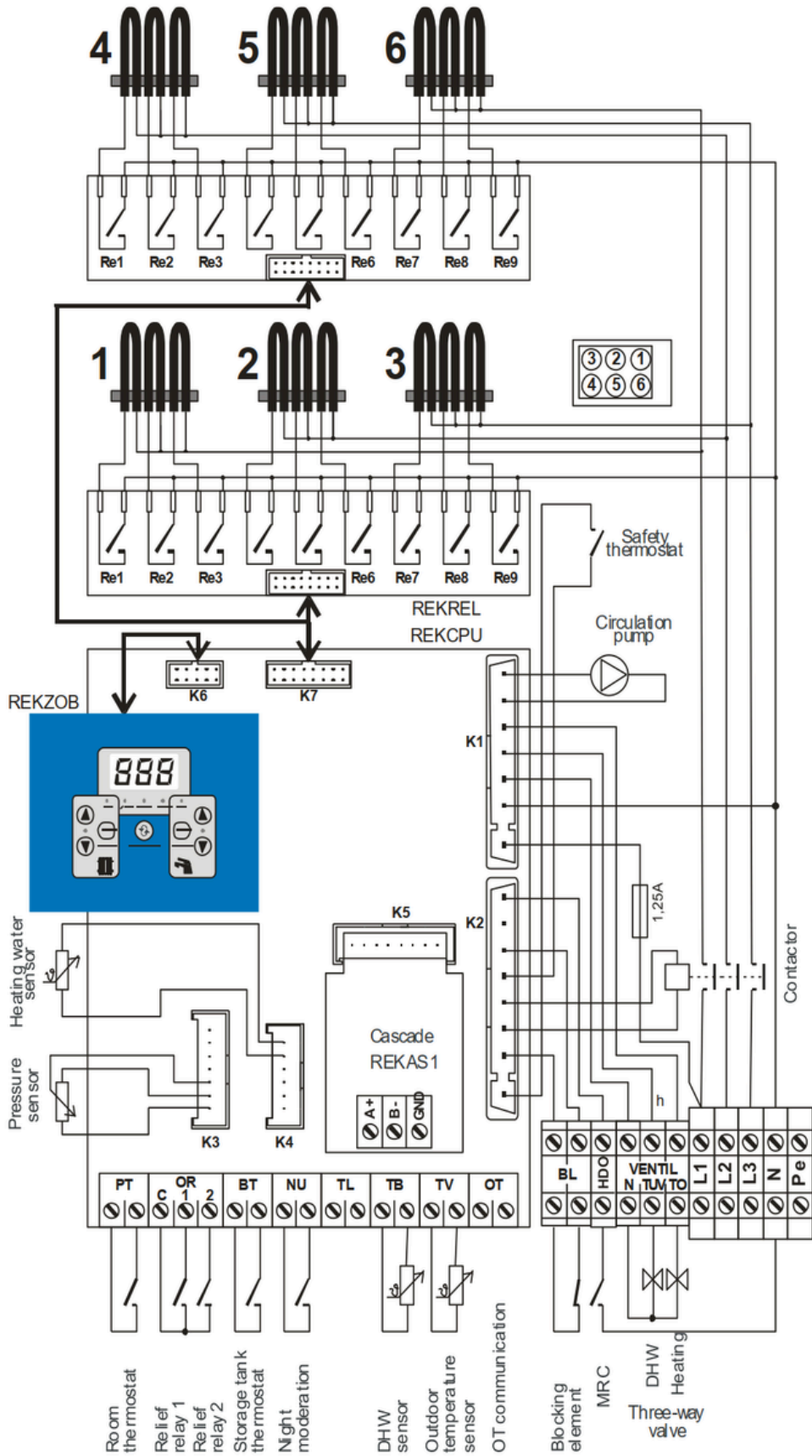


- 1 – Boiler frame
- 2 – Pump
- 3 – Safety valve
- 4 – Pressure sensor
- 5 – Discharge valve (1/2")
- 6 – Boiler heat exchanger
- 7 – Emergency thermostat (the sensor is placed in the cup together with the temperature sensor)
- 8 – Temperature sensor
- 9 – Vent valve
- 10 – Heating bar
- 11 – Control display
- 12 – Boiler automatic system



ThermaEL 30kw





Warning: The curves of serviceable charge pressures of heating water are calculated for Grundfos 15/60 pumps to the highest regulation grade.

