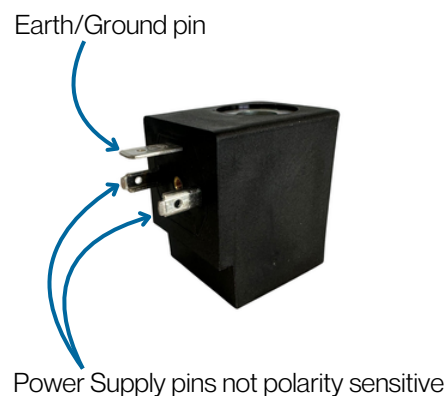
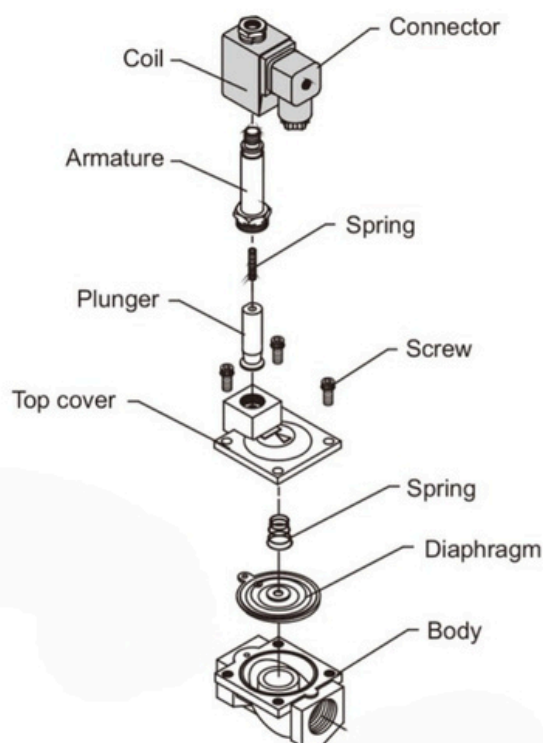


# SSSV Stainless Solenoid Valve Range - All Sizes

PRODUCT CODES SEE PAGE 2

## KEY FEATURES

- 15,20,25,32,40,50mm Sizes
- Function: 2/2 way normally closed
- Viton rubber seals as standard, EPDM Available.
- Operation: pressure assisted, requires Min 0.5 Bar differential
- Coil and plug available in 12VDC, 24VDC, 24VAC, 240VAC and others on request.
- Opening/closing time: Approx. 50ms
- CE approved, class H insulated & IP65 rated coil
- Suitable for use with air, water, light oil and more
- Maximum operating pressure: 0.5 to 10 Bar
- Operating ambient temperature range: -10°C - 60°C
- Process fluid temperature range: -10°C - 90°C



LED indicator coil connection plug for both AC & DC Voltages available



SCAN HERE TO  
FIND OUT MORE

**FlowQuip**  
Piped Equipment Specialties

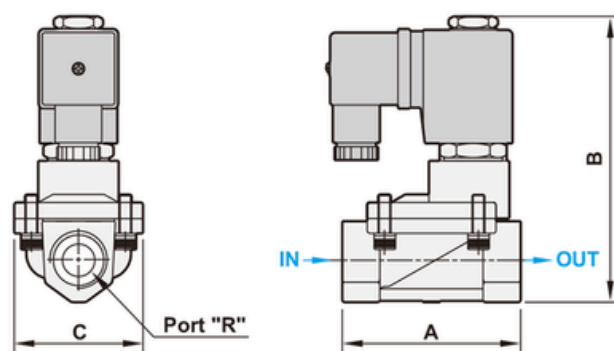
0800 77 78 79

flowquip.co.nz

<b>Fluid/Media</b>	Compressed air (light oil, water)	<b>Installation</b>	Horizontal
<b>Type</b>	Pilot acting	<b>Duty cycle</b>	100% ED
<b>Diaphragm</b>	VITON (Standard), NBR, EPDM (Options)	<b>Coil type</b>	DIN
<b>Operating pressure range</b>	0.5 - 10 Bar	<b>Protection class</b>	IP65 (DIN 40 050)
<b>Test pressure</b>	15 Bar	<b>Insulation class</b>	F
<b>Body material</b>	Stainless steel 316	<b>Voltage tolerance</b>	±10%
<b>Fluid temperature</b>	-10°C ~ 90°C	<b>Standard voltages</b>	230VAC, 24VDC, 24VAC, 12VDC
<b>Ambient temperature</b>	-10°C ~ 60°C	<b>Power consumption</b>	AC 230V:18.1VA, DC: 15W

Product Code selection	
Replace "(portsize)" in the code with the desired size example: A 50mm solenoid with a 24VDC coil and LED plug would be a SSSV5024VDC-DLP	
Product Code	Power supply & Plug
SSSV(portsize)12-DLP	Coil Voltage: 12VDC Plug: DC LED
SSSV(portsize)12-SP	Coil Voltage: 12VDC Plug: Standard
SSSV(portsize)240-ALP	Coil Voltage: 240VAC Plug: AC LED
SSSV(portsize)240-SP	Coil Voltage: 240VAC Plug: Standard
SSSV(portsize)24VAC-ALP	Coil Voltage: 24VAC Plug: AC LED
SSSV(portsize)24VAC-SP	Coil Voltage: 24VAC Plug: Standard
SSSV(portsize)24VDC-DLP	Coil Voltage: 24VDC Plug: DC LED
SSSV(portsize)24VDC-SP	Coil Voltage: 24VDC Plug: Standard

Port size Female BSPT	orifice size	Effective area	Litres per min @ 1 bar Dp (KV)	Net weight
1/2" 15mm	13mm	88mm <sup>2</sup>	40	775g
3/4" 20mm	25mm	230mm <sup>2</sup>	165	1550g
1" 25mm	25mm	230mm <sup>3</sup>	165	1550g
1 1/4" 32mm	38mm	404mm <sup>2</sup>	367	2820g
1 1/2" 40mm	38mm	552mm <sup>2</sup>	500	2820g
2" 50mm	50mm	883mm <sup>2</sup>	580	4665g



(mm)

Model	SSSV						
R	3/8"	1/2"	3/4"	1"	1 1/4"	1 1/2"	2"
A	66.5	66.5	100	100	131.5	131.5	160
B	106.5	106.5	126.5	126.5	145.5	145.5	160.5
C	48	48	70	70	96	96	112



SCAN HERE TO FIND OUT MORE