

Pressure Reducing /Regulator Valve Brass Threaded - Integral Filter, Unions & Gauge

SPEC SHEET

PRODUCT CODE: As below.

KEY FEATURES

Brass pressure-reducing valve/pressure limiting valve DZR brass body, EPDM diaphragm and seal, with in-built strainer male union connections, and pressure gauge are included. Up to 16 bar inlet with an outlet pressure range 1.75 - 6 bar suitable for Hot and cold water applications. Compact shape, body of dezincification-resistant brass, cap of transparent plastic. Filter key and manometer included. Max. temperature 70 °C, operating pressure to 16 bar, setting range from 1.5 to 6 bar, stainless steel strainer mesh with 0.3 mm mesh width.

- Double union ends with male thread ends.
- Perfect for cooling or boiler system top-up / Feed valve or used as a pressure limiting valve for protection of downstream plumbing systems.
- Compact shape, the body of dezincification-resistant brass.
- Filter service key and pressure gauge manometer integrated.
- Brass cap means can be used for hot water - Max. temperature 70°C
- Operating pressure to 16 bar, setting range from 1.5 to 6 bar
- Stainless steel strainer mesh with 0.3 mm mesh width.
- WRAS drinking water approved



Size	15mm	20mm	25mm	32mm	40mm	50mm
Code	1268221	1268222	1268223	1268224	1268225	1268226



SCAN HERE TO
FIND OUT MORE

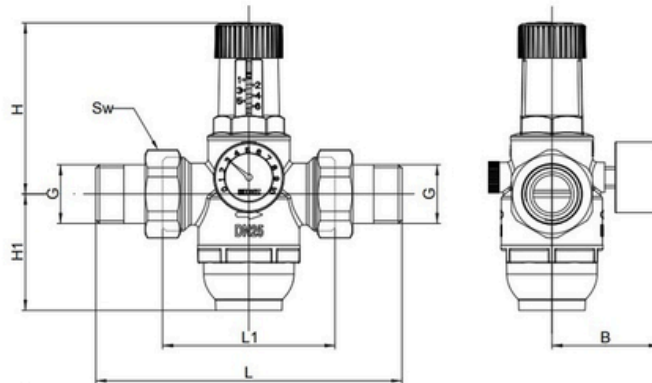
0800 77 78 79

flowquip.co.nz

FlowQuip
Piped Equipment Specialties

Pressure Reducing /Regulator Valve Brass Threaded - Integral Filter, Unions & Gauge

☑ Dimensions in mm



Model	Cap	Dimension	PN	DN	G	L [mm]	L1 [mm]	B [mm]	H [mm]	H1 [mm]	Sw
1 2682 11	plastic	1/2"	16	15	1/2"	147	84	67	98	66	30
1 2682 12	plastic	3/4"	16	20	3/4"	155	84	67	98	66	37
1 2682 13	plastic	1"	16	25	1"	185	98	67	98	66	46
1 2682 14	plastic	1-1/4"	16	32	1-1/4"	204	120	78	156	100	52
1 2682 15	plastic	1-1/2"	16	40	1-1/2"	224	122	78	156	100	60
1 2682 16	plastic	2"	16	50	2"	252	136	78	156	100	75
1 2682 21	brass	1/2"	16	15	1/2"	147	84	67	98	66	30
1 2682 22	brass	3/4"	16	20	3/4"	155	84	67	98	66	37
1 2682 23	brass	1"	16	25	1"	185	98	67	98	66	46
1 2682 24	brass	1-1/4"	16	32	1-1/4"	204	120	78	156	96	52
1 2682 25	brass	1-1/2"	16	40	1-1/2"	224	122	78	156	96	60
1 2682 26	brass	2"	16	50	2"	252	136	78	156	96	75

☑ Pressure drop diagram

