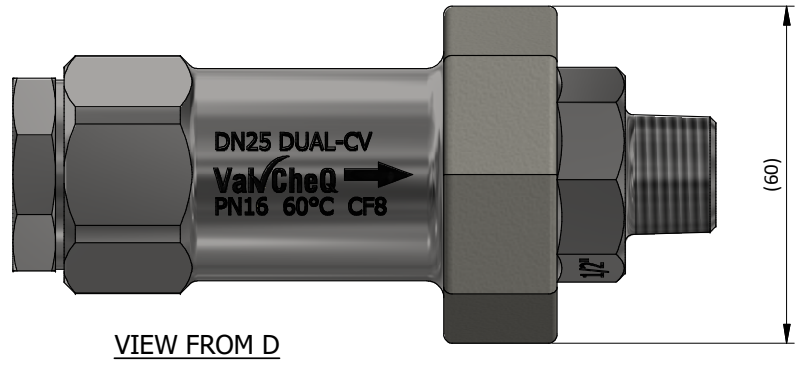
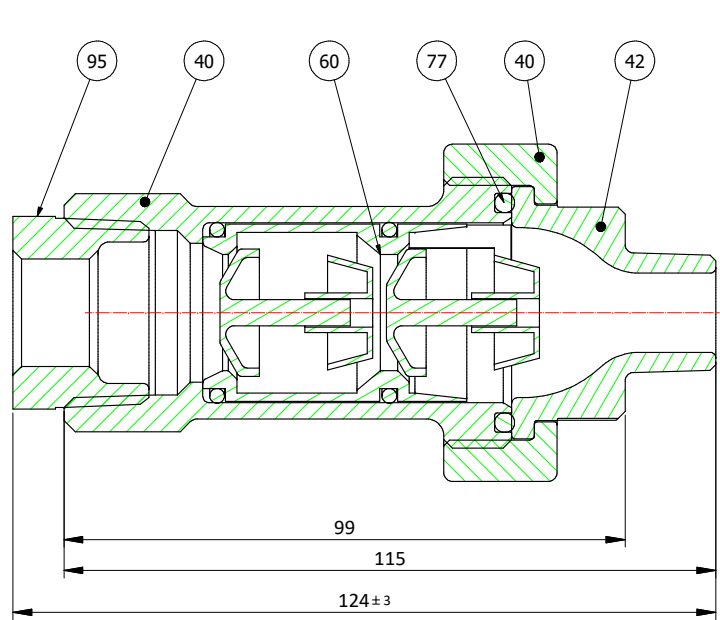


AMENDMENT					
Issue	ECN No	Change	By	Date	Grid
0	-	Issued For Manufacture	MP	23/10/2020	-

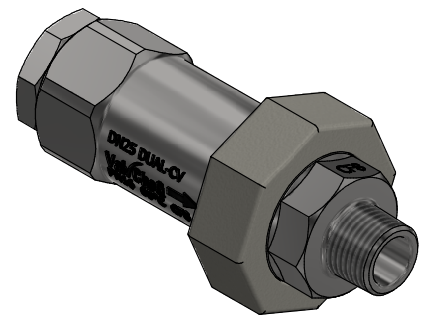
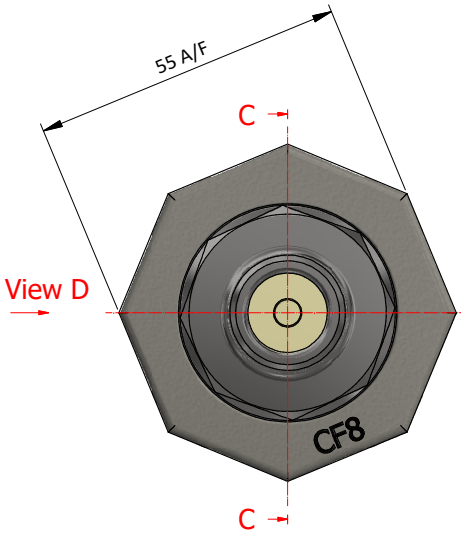


VIEW FROM D

VALVCHEQ DUAL-CV - Dual Check Valve Assembly			
ITEM	QTY	DESCRIPTION	MATERIAL
2	1	Dual-CV DN 25 Body	ASTM A 351 CF8 Gr 304 Stainless Steel
40	1	RP03 DN 25 Union Nut	ASTM A 351 CF8 Gr 304 Stainless Steel
42	1	RP03 DN 1/2" or 3/4" BSPT Tail Male	ASTM A 351 CF8 Gr 304 Stainless Steel
60	1	Gulf Rubber Dual NON-REturn Valve Cartridge Assembly	Various - Dwg# 2873-09DOV32
77	1	End Connector O' Ring	Nitrile to AS4020
95	1	Reducing Bush 1" x 3/4" or 1" x 1/2" BSPT	Gr 304 Stainless Steel Fitting



SECTION VIEW C-C Image DN15, (1/2")



- NOTES:
1. ValvCheQ Backflow Valve manufactured to AS/NZS 2845.1, Installation to AS 3500.
 2. Classification PN 16, Maximum Temperature 60°C.
 3. All materials are approved to be in contact with potable water standard AS/NZS 4020.
 4. End connections standard to AS3688, AS1722, BSPT
 5. Emerson Automation Solutions, reserves the right to change product design and specifications without notice.
 6. Dimensions as stated.

	DCO Loc./Code:	EAGLEFARM	EAG		<small>CONFIDENTIALITY NOTE</small> This document/program, including the content, is property of Emerson and must be held in strict confidence and properly safeguarded by the recipient at all times. It may not be copied or reproduced, or provided or revealed to any other party, except with prior written authorization of an appropriate officer of Emerson, and any such copy or reproduction must include this disclaimer. The recipient may only use the same only for the purpose for which Emerson has provided it to the recipient. The document must be returned to Emerson upon request. By accepting this document/program, the recipient agrees to the foregoing.
	DDO Loc./Code:	EAGLEFARM	EAG		
	APPROVALS	NAME	DATE		
	DRAWN BY	MVP	23-04-2021		
	CHECKED BY	MDB	23-04-2021	TITLE:	DN15/20 DUAL CHECK VALVE
	APPROVED BY	Doc	23-04-2021		1/2", 3/4" BSPT MALE X FEMALE 304 - OV32
	PRESSURE CLASS	PN16		SIZE	DRAWING NO.
	VALVE SIZE	DN15/20 mm		A2	GA-DUAL-CV15-20
	FIGURE NUMBER	DUAL-CV		SCALE:	WEIGHT: N/A
					SHEET 1 OF 1

UNLESS OTHERWISE SPECIFIED, DIMENSIONS ARE IN MILLIMETERS (INCHES) TOLERANCES:

HULLNETERS	---	INCHES	[X.# ± .1]
X ± .1	± .005	---	[XXX ± .01]
X ± .25	± .010	---	[XXX ± .015]
.XX ± .05	± .002	---	[XXX ± .015]

ANGULAR ± 1.0°
REMOVE ALL BURRS & BREAK SHARP EDGES.
DO NOT SCALE DRAWING. SURFACE ROUGHNESS 3.2µm OR LESS UNLESS OTHERWISE SPECIFIED.