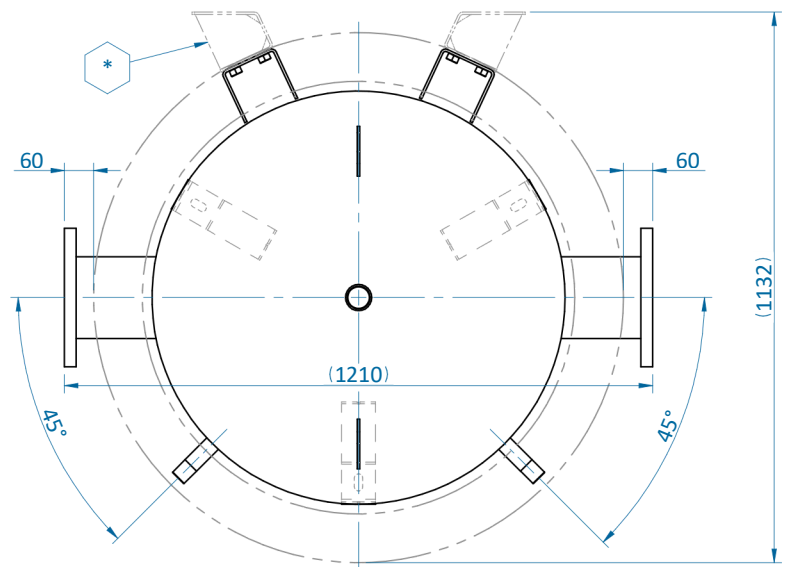
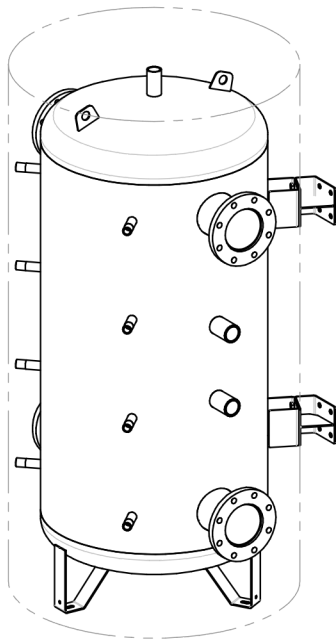
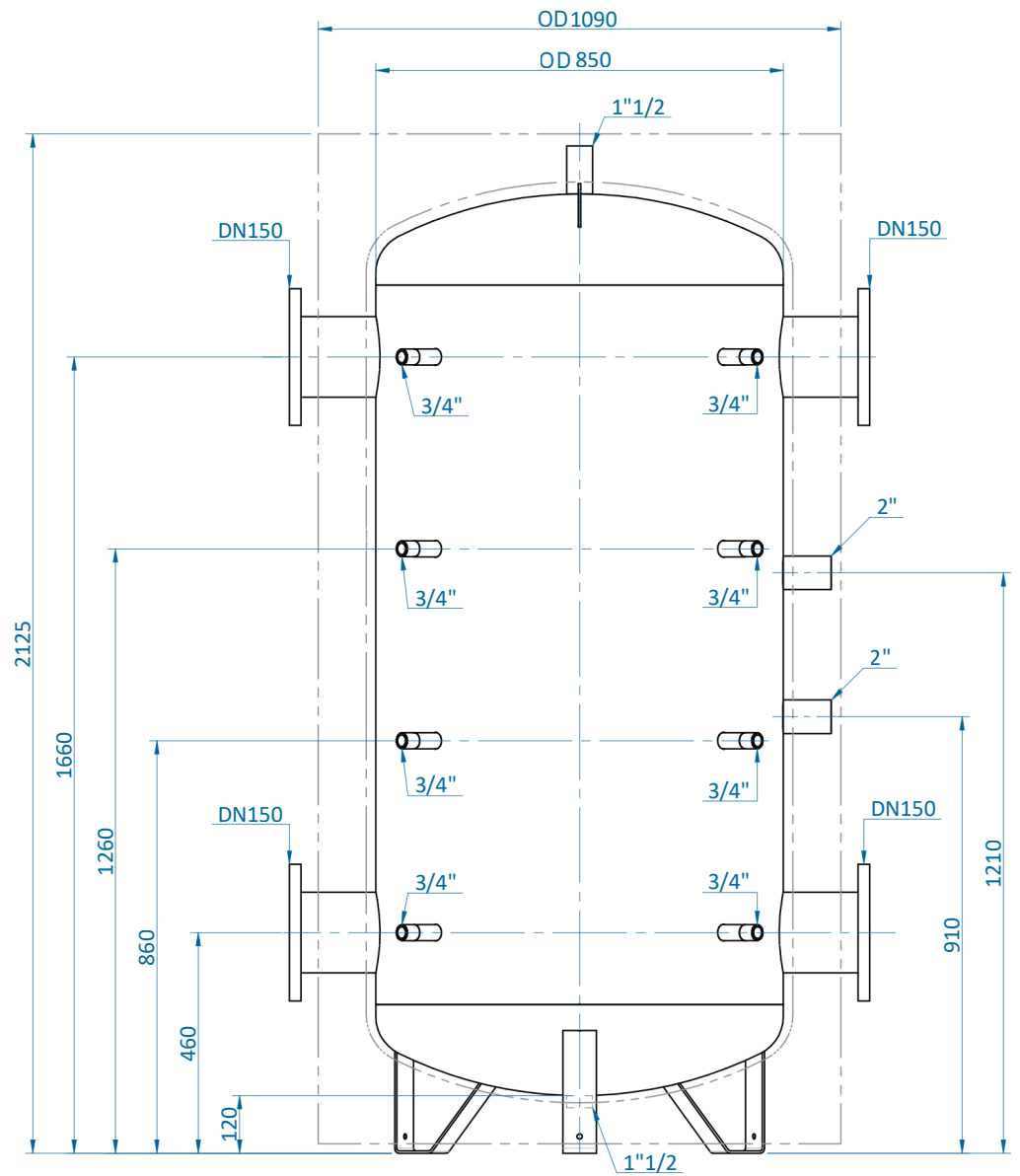
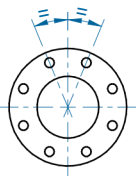


Flange Orientation



20 mm CLOSE CELL INSULATION + 100 mm FLEXIBLE INSULATION WITH EXTERNAL PVC COVER

PAINTED EXTERIOR

BLACK RAW STEEL INSIDE, ANTIRUST PAINTING OUTSIDE

FLANGES PN 16 UNI EN 1092-1

WORKING PRESSURE: 6 bar

FOR ADDITIONAL SIDE BRACKETS FOR SEISMIC

RESTRAINT 257.5 KG dry weight.

REVISION		DATA	
APPROVED		APPROVED	
REVISION		REVISION	
GENERAL TOLERANCE ISO 2768-v		SCALE 1:11	WEIGHT 257,5kg
TREATMENT/ FINISH		DATE 27/03/2026	
MATERIAL		APPROVED GR	
OBJECT:		DESIGNED MJ	
ThermaCon Buffer Tank Carbon Steel		CODE	
4 Port Flanged, Indoor Insulation 1000 Litre			TCBT-SIF-1000
THIS DRAWING IS THE PROPERTY OF FLOWQUIP LTD AND MUST NOT BE RETAINED, COPIED OR USED WITHOUT PERMISSION.			81701F171X