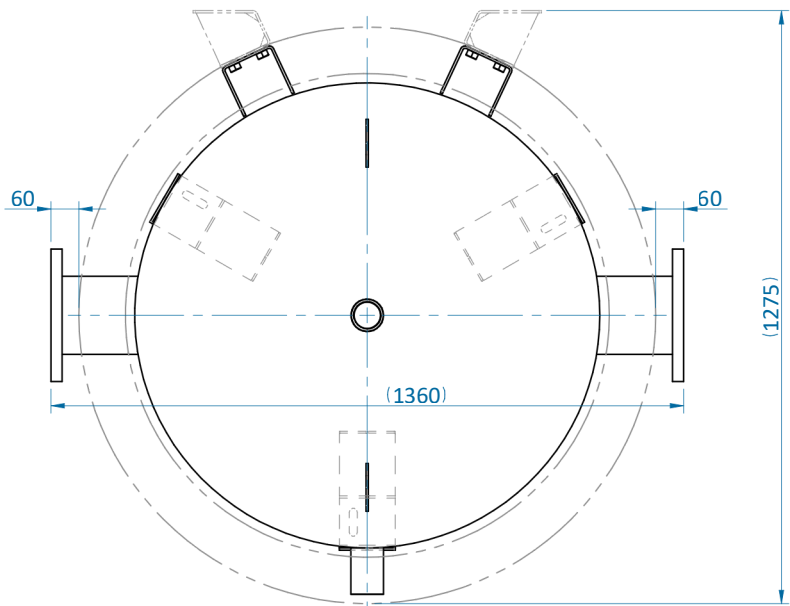
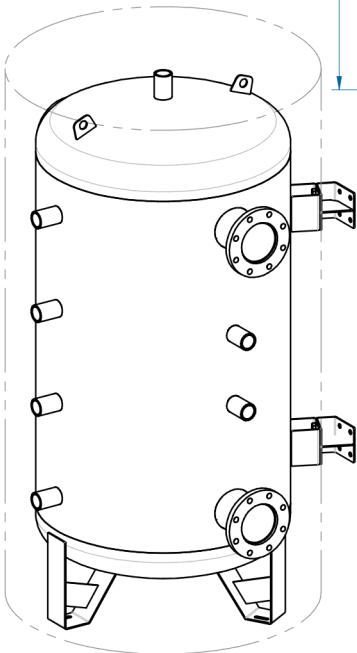
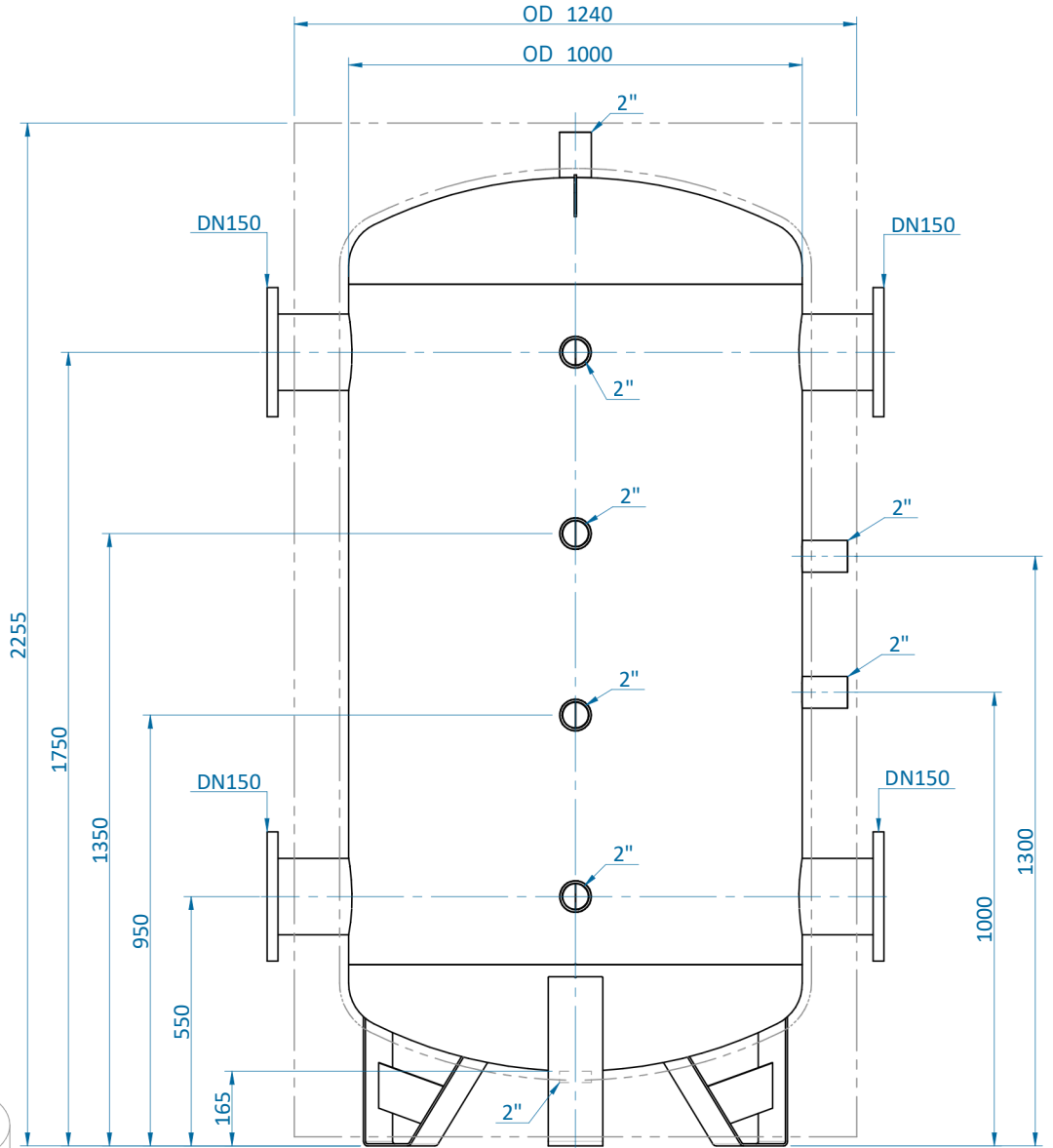
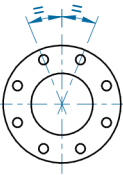


Flange Orientation



20 mm CLOSE CELL INSULATION + 100 mm FLEXIBLE INSULATION WITH EXTERNAL PVC COVER

PAINTED EXTERIOR

BLACK RAW STEEL INSIDE, ANTIRUST PAINTING OUTSIDE

FLANGES PN 16 UNI EN 1092-1

WORKING PRESSURE: 6 bar

FOR ADDITIONAL SIDE BRACKETS FOR SEISMIC RESTRAINT 225.0 kg DRY WEIGHT.

REVISION		DATA	
APPROVED		APPROVED	
GENERAL TOLERANCE ISO 2768-v		SCALE 1:11,5	WEIGHT 225,0kg
TREATMENT/ FINISH		DATE 24/03/2026	APPROVED GR
MATERIAL		DESIGNED MJ	CODE
		OBJECT: ThermaCon Buffer Tank Carbon Steel 4 Port Flanged, Indoor Insulation 1500 Litre TCBT-SIF-1500	
THIS DRAWING IS THE PROPERTY OF FLOWQUIP LTD AND MUST NOT BE RETAINED, COPIED OR USED WITHOUT PERMISSION.		81701F172X	