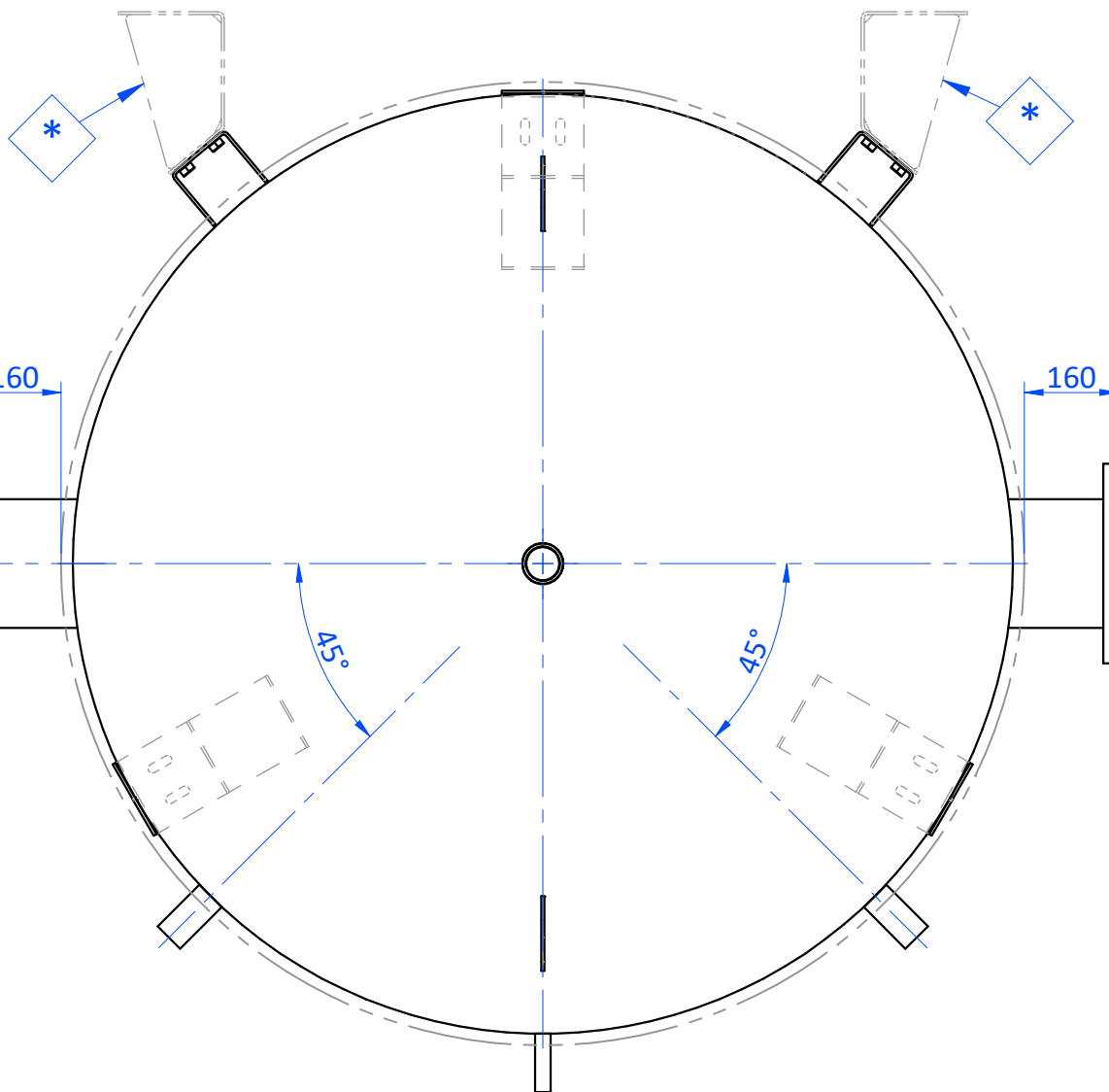
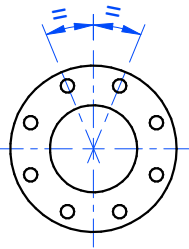


* BRACKETS INCLUDED
SUPPLY (4X)



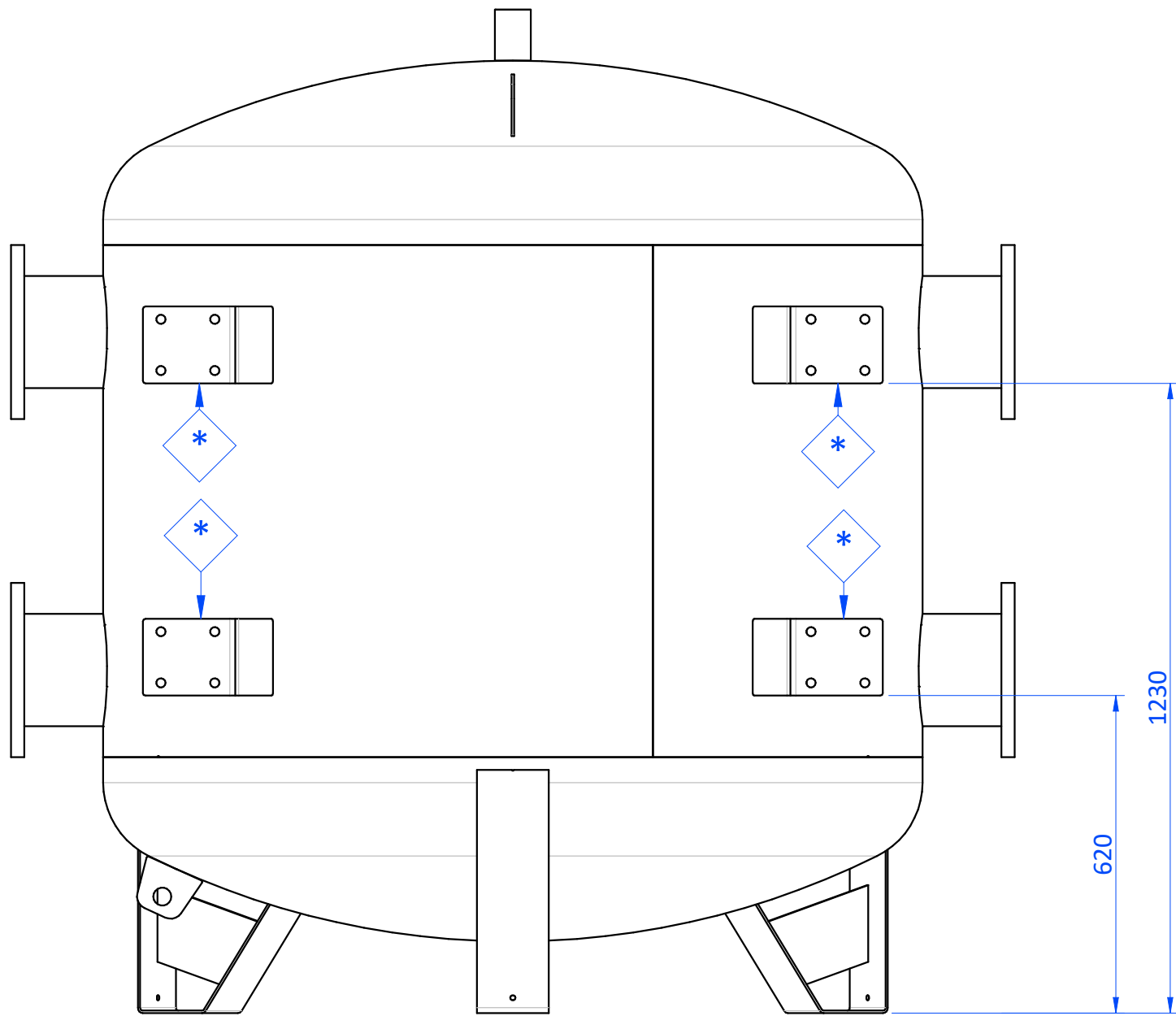
Flange Orientation



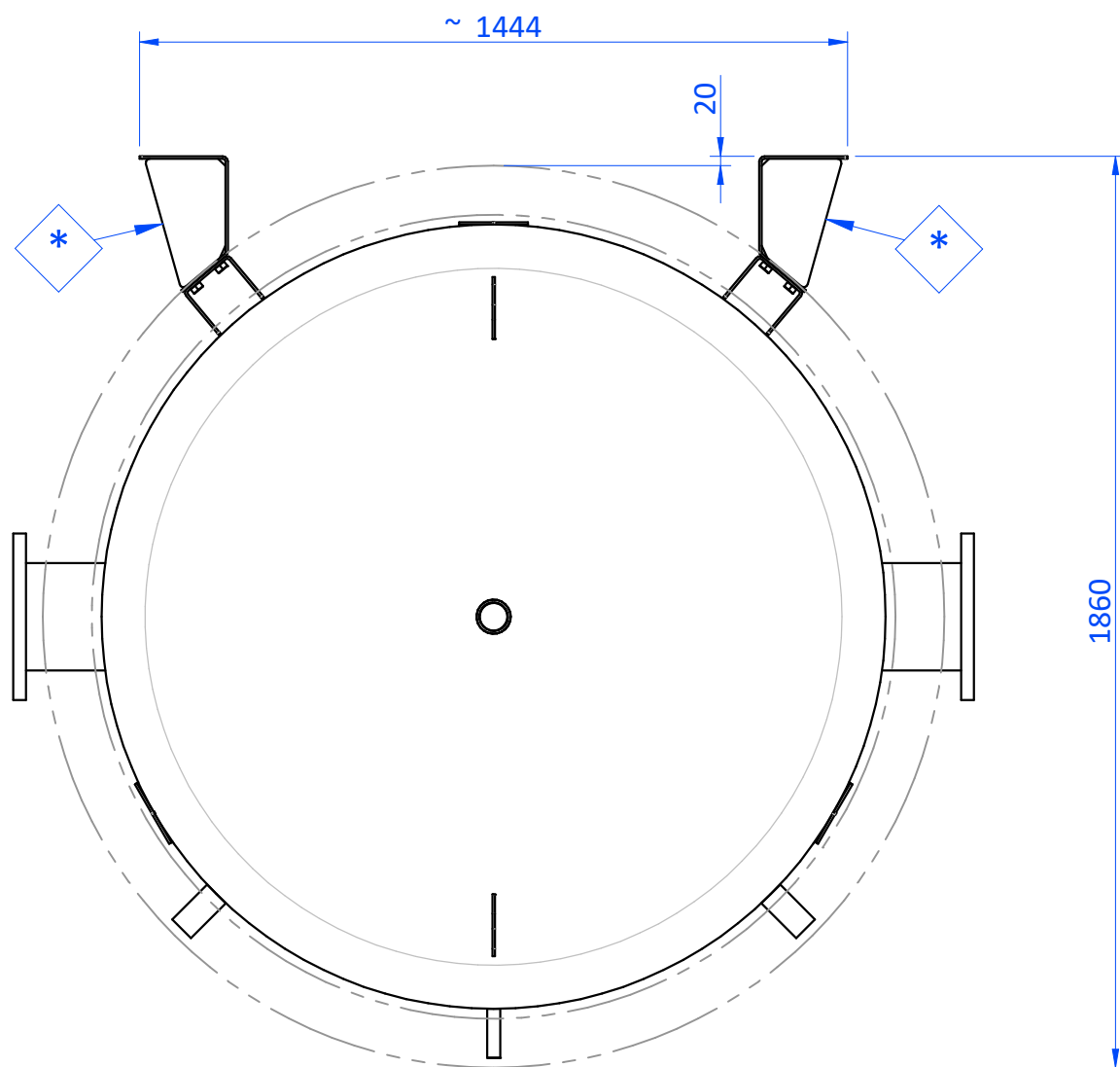
INSULATION: ST 068

20 mm CLOSE CELL INSULATION + 100 mm FLEXIBLE
INSULATION WITH EXTERNAL PVC COVER
PAINTED EXTERIOR
BLACK RAW STEEL INSIDE, ANTIRUST PAINTING OUTSIDE
FLANGES PN 16 UNI EN 1092-1
WORKING PRESSURE: 6 bar

0		DATA	
N°		APPROVED	
GENERAL TOLERANCE		REVISION	
ISO 2768-v		SCALE	WEIGHT
TREATMENT/FINISH		1:12	447 kg
MATERIAL		DATE	30/04/2026
FlowQuip		APPROVED	GR
Piped Equipment Specialists		DESIGNED	LM
OBJECT:		PRODUCT CODE	
ThermaCon Buffer Tank, Carbon Steel		TBCT-SIF-3000	
4 Port Flanged, Indoor Insulation 3000L		REVISION	1
THIS DRAWING IS THE PROPERTY OF FLOWQUIP LTD AND MUST NOT BE RETAINED, COPIED OR USED WITHOUT PERMISSION		81701F516X	



* BRACKETS INCLUDED SUPPLY (4X)



0		DATA	
N°		APPROVED	
GENERAL TOLERANCE		REVISION	
ISO 2768-v		SCALE	WEIGHT
TREATMENT/FINISH		1:12	447 kg
MATERIAL		DATE	19/05/2026
OBJECT:		APPROVED	GR
ThermaCon Buffer Tank, Carbon Steel		DESIGNED	LM
4 Port Flanged, Indoor Insulation 3000L		PRODUCT CODE	TBCT-SIF-3000
THIS DRAWING IS THE PROPERTY OF FLOWQUIP LTD AND MUST NOT BE RETAINED, COPIED OR USED WITHOUT PERMISSION		REVISION	1

FlowQuip
Piped Equipment Specialists